

# Technical Data Sheet

CODE 17005

## VORTICE LINEO 100 Q V0

In-line mixed flow fans



### Certifications



IMQ



CE



IMQ Performance



C Tick Mark

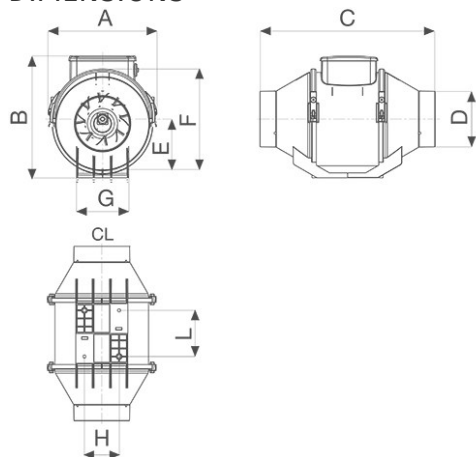


EAC

### TECHNICAL AND PERFORMANCE DATA

Absorbed power 1st speed (W)	12	Delivery 1st speed (l/s)	43,1
Frequency (Hz)	50	Delivery 1st speed (m <sup>3</sup> /h)	155
Insulation Class	II <sup>0</sup>	Max delivery at max speed (l/s)	55,6
IP	44	Max delivery at max speed (m <sup>3</sup> /h)	200
Max ambient temperature for continuous operation (°C)	60	Pressure - 1st speed (mmH2O)	6,5
Max. absorbed Current at max. speed (A)	0,07	Pressure - 1st speed (Pa)	63,8
Max. absorbed Current at min. speed (A)	0,05	Pressure max - max speed (mmH2O)	7,5
Max. absorbed power at max speed (W)	15	Pressure max - max speed (Pa)	73,6
Nominal Diameter (mm)	100	RPM max	2450
Voltage (V)	220-240	RPM min	1860
Weight (Kg)	1,25	Sound pressure level Lp [dB (A)] 3m - max speed	37,9
		Sound pressure level Lp [dB (A)] 3m - min speed	29,4

### DIMENSIONS



Size A (mm)	156
Size B (mm)	174
Size C (mm)	231
Size D (mm)	96
Size E (mm)	82
Size F (mm)	152
Size G (mm)	95
Size H (mm)	51,5
Size L (mm)	47,5
Size M (mm)	6

#### PER INFORMAZIONI:

Servizio al Cliente: tel +39 02 90699395 premendo 1 dopo messaggio registrato (consulenza su prodotti e impianti)

Pre & Post Vendita: fax +39 02 90699302

Email prevendita: prevendita@vortice-italy.com

# Technical Data Sheet

CODE 17005

## VORTICE LINEO 100 Q V0

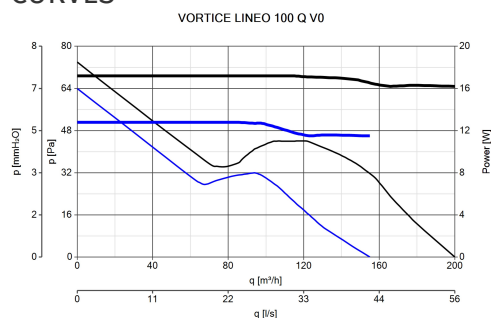
In-line mixed flow fans



### DESCRIPTION

- Material: self-extinguishing plastic resin (self-extinguishing capability V0)
- Nominal diameter 100 mm.
- 2 speed AC motor with thermal overload cutout and shaft turning in ball bearings, coupled to mixed flow axial-centrifugal impeller.
- Minimum air flow 155 m<sup>3</sup>/h
- Maximum air flow: 200 m<sup>3</sup>/h
- IMQ SAFETY and IMQ PERFORMANCE certifications
- Vortice speed controllers.

### CURVES



### ACCESSORIES



**C 1.5**  
**(COMANDO EL.**  
**1.5 A)**

Code 12966



**LINEO-G 100**

Code 22701



**C5 0.5**  
**(COMANDO 5V**  
**0.5 A)**

Code 12987



**KIT SCB5**  
**(TRASF.5 V.)**

Code 22483



**KIT SCB**  
**(TRASF.E.C.)**

Code 22481



**DUO**

Code 22914



**C PIR**

Code 12998

C TIMER



#### PER INFORMAZIONI:

Servizio al Cliente: tel +39 02 90699395 premando 1 dopo messaggio registrato (consulenza su prodotti e impianti)

Pre & Post Vendita: fax +39 02 90699302

Email prevendita: prevendita@vortice-italy.com

ICS

Code 12999

Code 12992

Code 12993

Code 12994